

J1

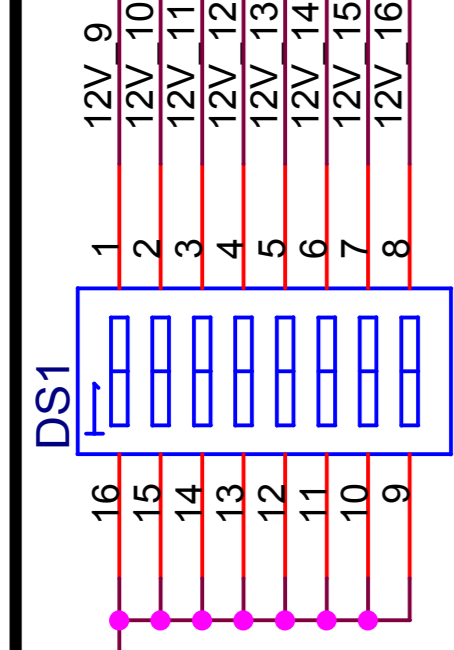
1. RS485 1+
2. RS485 1-
3. RS485 2+
4. RS485 3-
5. RS485 3+
6. RS485 2-
7. RS485 4+
8. RS485 4-

1-4
5-8

J2

1. RS485 9+
2. RS485 9-
3. GND
4. 12V_9
5. 12V_9
6. GND
7. N/C
8. N/C

9
10



1
2
3
4
5
6
7
8

TYPICAL FOR
RS485 10-16

11
12

13
14

15
16

J1

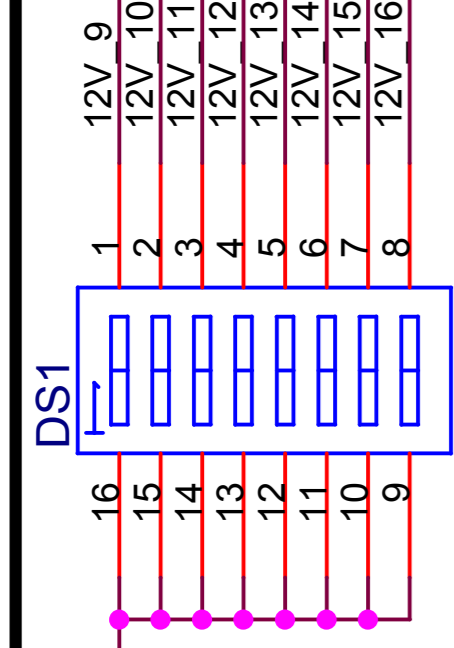
1. RS485 1+
2. RS485 1-
3. RS485 2+
4. RS485 3-
5. RS485 3+
6. RS485 2-
7. RS485 4+
8. RS485 4-

1-4
5-8

J2

1. RS485 9+
2. RS485 9-
3. GND
4. 12V_9
5. 12V_9
6. GND
7. N/C
8. N/C

9
10



11
12

13
14

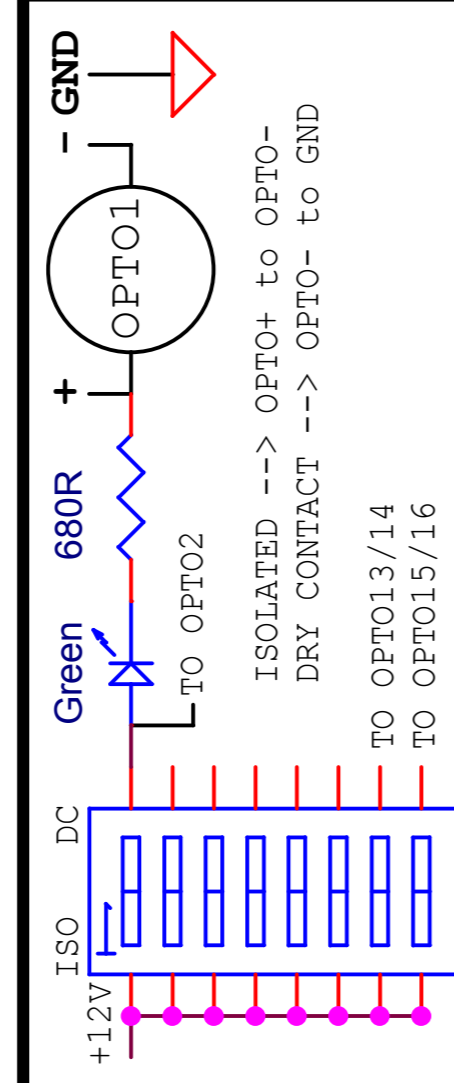
15
16

TYPICAL FOR
RS485 10-16

J3

1. OPTO 1+
2. OPTO 1-
3. GND
4. N/C
5. N/C
6. GND
7. OPTO 2+
8. OPTO 2-

1/2
3/4



5/6
7/8

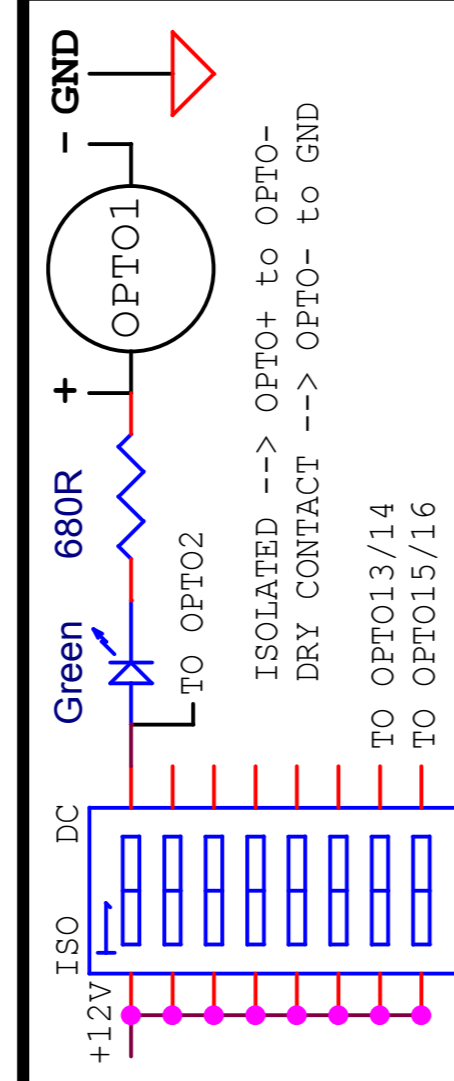
9/10
11/12

13/14
15/16

J3

1. OPTO 1+
2. OPTO 1-
3. GND
4. N/C
5. N/C
6. GND
7. OPTO 2+
8. OPTO 2-

1/2
3/4



5/6
7/8

9/10
11/12

13/14
15/16

J4

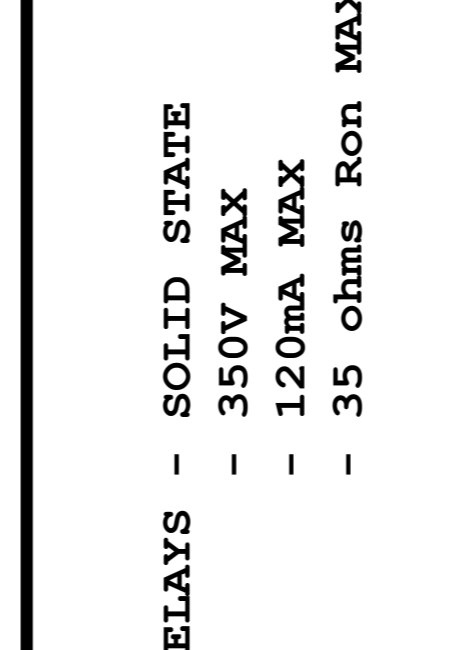
1. RELAY 1+
2. RELAY 1-
3. RELAY 2+
4. RELAY 3-
5. RELAY 3+
6. RELAY 2-
7. RELAY 4+
8. RELAY 4-

1-4
5-8

J5

1. RELAY 9+
2. RELAY 9-
3. GND
4. N/C
5. N/C
6. GND
7. N/C
8. N/C

9
10



11
12

13
14

15
16

TYPICAL FOR
RELAYS 10-16

RELAYS - SOLID STATE
- 350V MAX
- 120mA MAX
- 35 ohms Ron MAX

J4

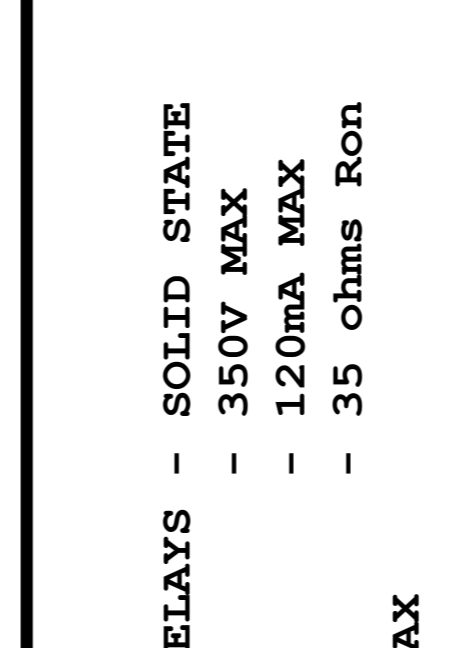
1. RELAY 1+
2. RELAY 1-
3. RELAY 2+
4. RELAY 3-
5. RELAY 3+
6. RELAY 2-
7. RELAY 4+
8. RELAY 4-

1-4
5-8

J5

1. RELAY 9+
2. RELAY 9-
3. GND
4. N/C
5. N/C
6. GND
7. N/C
8. N/C

9
10



11
12

13
14

15
16

TYPICAL FOR
RELAYS 10-16

RELAYS - SOLID STATE
- 350V MAX
- 120mA MAX
- 35 ohms Ron MAX